

# SINGLE PHASE NOISE FILTERS

## NAP Series

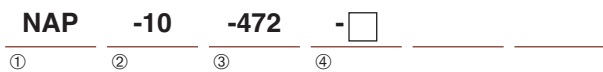


- ① Model Name
- ② Rated Current
- ③ Line to ground capacitor code : See table 1.1.

Table1.1 Line to ground capacitor code

Code	Leakage Current (Input 125 / 250V 60Hz)	Line to ground capacitor (nominal value)
000	5 $\mu$ A / 10 $\mu$ A max	Not Provided
101	12.5 $\mu$ A / 25 $\mu$ A max	100pF
221	25 $\mu$ A / 50 $\mu$ A max	220pF
331	37.5 $\mu$ A / 75 $\mu$ A max	330pF
471	50 $\mu$ A / 100 $\mu$ A max	470pF
681	75.5 $\mu$ A / 150 $\mu$ A max	680pF
102	0.13 mA / 0.25 mA max	1000pF
222	0.25 mA / 0.5 mA max	2200pF
332	0.38 mA / 0.75 mA max	3300pF
472	0.5 mA / 1.0 mA max	4700pF

## Ordering information



## Features of NAP series

- Outside Impluse high-attenuation type
- Single Phase 250 VAC
- Quick and easy push-down terminal  
Just connect the wires, push down and tighten the screws with a screwdriver

\*1 When the line to ground capacitor code is different, the attenuation characteristic is different.

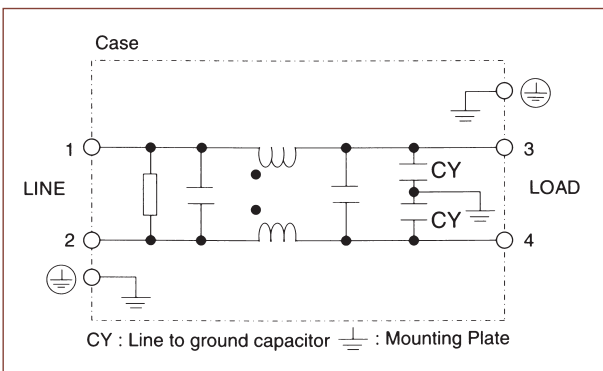
- ④ Options  
D:DIN rail installation type

\* The dimensions change when the option is set. Refer to External view.

## Specifications

No.	Items	NAP-06-472	NAP-10-472	NAP-16-472	NAP-20-472	NAP-30-472
1	Rated Voltage (V)	AC 1 $\phi$ 250 / DC250				
2	Rated Current (A)	6	10	16	20	30
3	Test Voltage (Terminal-Mounting Plate)	2,500 VAC (Cutoff Current = 20mA), 1 minute at room temperature and humidity				
4	Isolation Resistance (Terminal-Mounting Plate)	500 VDC 100M $\Omega$ minute at room temperature and humidity				
5	Leakage current 125 / 250V 60Hz	0.5mA / 1.0mA max				
6	Voltage drop	1.0V max				
7	Safety agency approval temperatures	-25 to +85°C (Refer to Derating Curve)				
8	Operating temperature	-40 to +85°C (Refer to Derating Curve)				
9	Operating humidity	20 to 95%RH (Non condensing)				
10	Storage temperature/humidity	-40 to +85°C / 20 to 95%RH (Non condensing)				
11	Vibration	10 to 55Hz, 19.6m/s <sup>2</sup> (2G), 3min. Period, 1 hour each X, Y and Z axis				
12	Impact	196.1m/s <sup>2</sup> (20G), 11ms Once each X, Y, Z axis				
13	Safety agency approvals	UL1283, CSA C22.2 No.8 (C-UL), DIN EN133200 VDE0565 Teil3-1, ENEC (Pending) (At only AC input)				
14	Case size (without projection) / Mass	53 X 41 X 92mm (W X H X D) / 300g max (Option : -D refer to external view)				

## Circuit Diagram



## Derating Curve

