

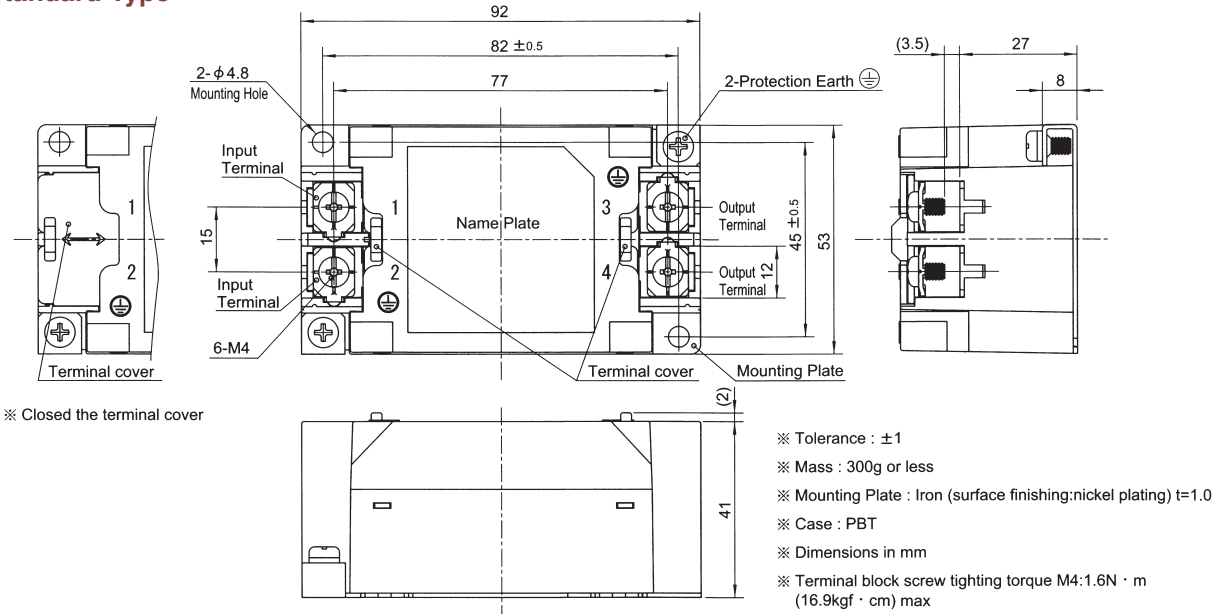
SINGLE PHASE NOISE FILTERS

External View For NAC, NAM, NAP Series

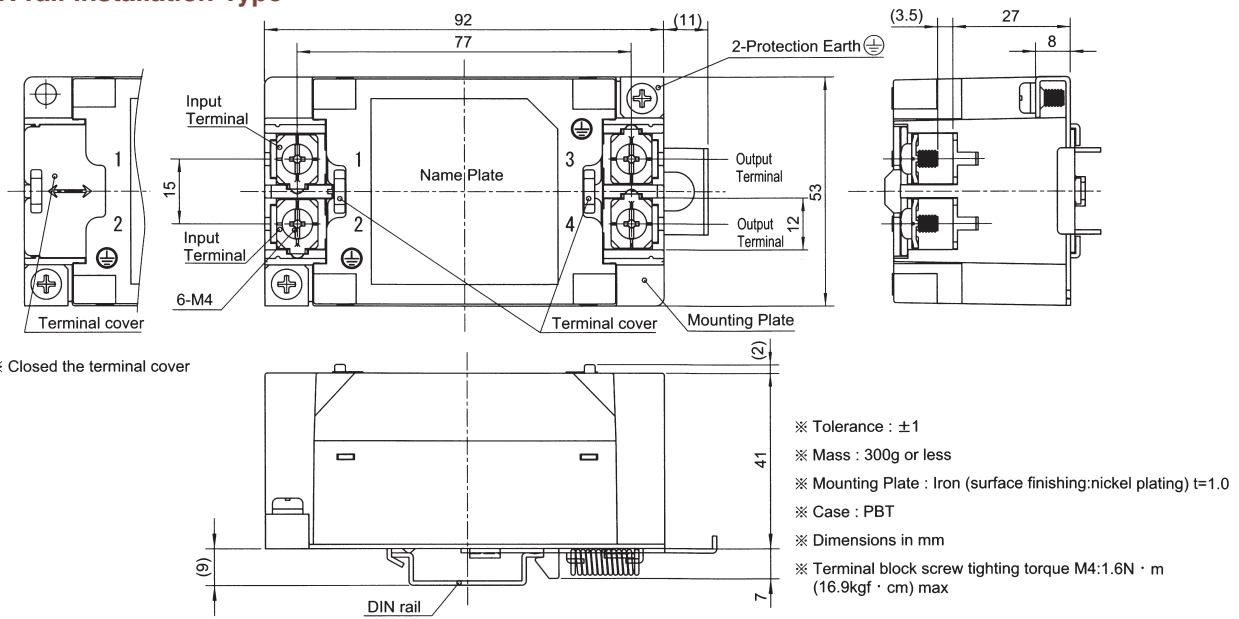
This product is shipped in the following condition, because it is equipped with push-down terminals.

- ① The terminal cover is retracted inside the unit.
- ② The screws for connecting the terminals are held in the right position.

Standard Type



DIN rail installation Type



Note when installing the noise filter on a DIN rail

When the noise filter is grounded through the DIN rail, the proper noise attenuation may not be achieved.

Be sure to connect the protection earth (PE) of the noise filter body to the earth.

