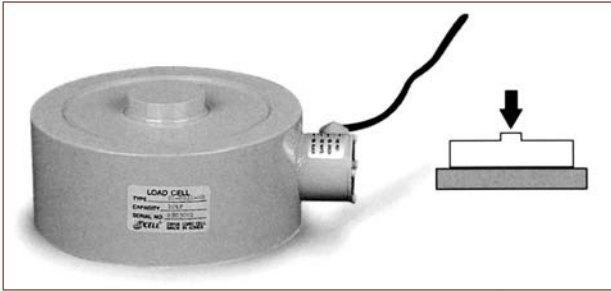


# LOW PROFILE COMPRESSION LOAD CELL

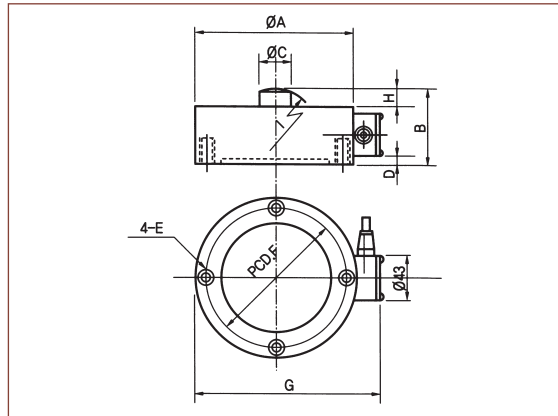
## Model CL



Low Profile Compression Service Load Cell.

Hopper, Tank Weighing.

Protection Class IP67



## Specifications

Specifications	Accuracy	
	CLG	CLH
Rated capacity (R.C)	500kgf, 1tf, 2tf, 5tf, 10tf, 20tf, 50tf, 100tf, 200tf	500kgf, 1tf, 2tf, 5tf, 10tf, 20tf, 50tf
Rated output (R.O)	2mv/v±0.1%	2mv/v±0.1%
Nonlinearity	0.05% of R.O.(100tf, 200tf : 0.1%)	0.02% of R.O.
Hysteresis	0.05% of R.O.(100tf, 200tf : 0.1%)	0.02% of R.O.
Repeatability	0.03% of R.O.(100tf, 200tf : 0.05%)	0.02% of R.O.
Zero balance	±2% of R.O.	±2% of R.O.
Temperature effect, on rated output	0.05% of LOAD/10°C	0.03% of LOAD/10°C
Temperature effect, on zero balance	0.05% of R.O./10°C	0.03% of R.O./10°C
Temperature range, compensated	-10~60°C	-10~60°C
Temperature range, safe	-10~70°C	-10~70°C
Terminal resistance input	350±30Ω	350±30Ω
Terminal resistance output	350±3Ω	350±3Ω
Isolation resistance bridge	2000MΩ	2000MΩ
Excitation recommended	10V	10V
Safe overload	150% R.C	150% R.C
Cable length	ø 7, 4core, 3m	ø 7, 4core, 3m

## Dimensions Table

Unit : mm

Capacity	øA	B	øC	D	E	øF	G	H	RI
500kgf(4.903KN)	88	30	16	1.5	M6x1 DP10	70	119	5	60
1tf(9.807KN)	98	46	22	1.5	M8x1.25 DP12	80	129	7	60
2tf(19.61KN)	98	46	22	1.5	M8x1.25 DP12	80	129	7	60
5tf(49.03KN)	98	46	22	1.5	M8x1.25 DP12	80	129	7	60
10tf(98.07KN)	118	65	24	11	M8x1.25 DP12	98	149	7	80
20tf(196.1KN)	157	65	34	11	M8x1.25 DP12	120	188	10	100
50tf(490.3KN)	187	75	50	16	M12x1.75 DP12	150	218	10	140
100tf(980.7KN)	278	120	74	37	M12x1.75 DP15	240	309	15	160
200tf(1.961MN)	320	170	100	63.5	M16x2 DP20	270	351	15	250
300tf(2.942MN)	396	195	140	68.5	M16x2 DP20	330	361	15	320
500tf(4.903MN)	430	200	150	68.5	M20x2.5 DP25	360	391	20	320