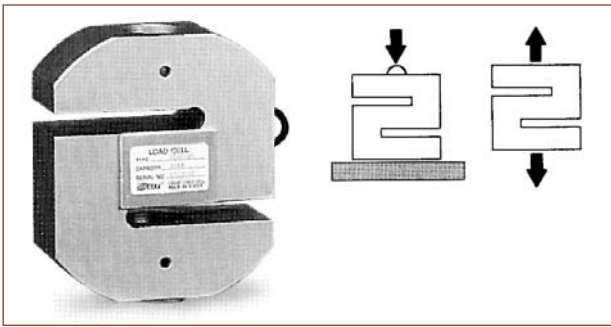


UNIVERSAL LOAD CELL

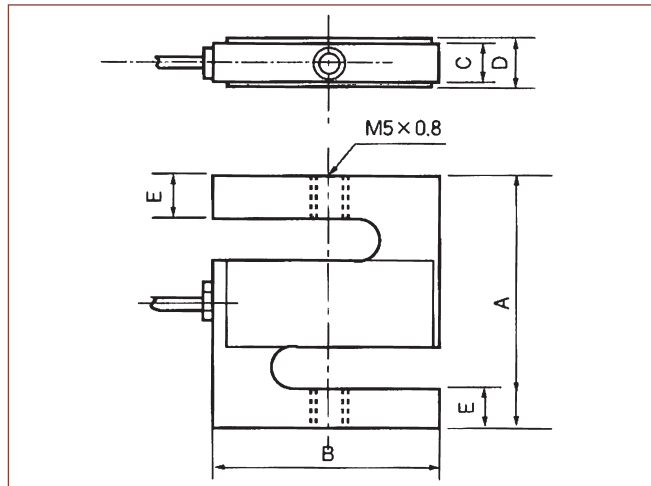
Model UU



Compact size.

These are extremely accurate and compact Thesion / Compression load cell.

Protection Class IP65



Specifications

Specifications	Accuracy
Rated capacity (R.C)	2kg, 5kg, 10kgf, 20kgf, 50kgf, 100kgf, 200kgf, 500kgf, 1tf, 2tf, 3tf, 5tf, 10tf
Rated output (R.O)	2.0mv/v±1% (2kgf, 5kgf : 1mv/v±1%)
Nonlinearity	0.03% of R.O.
Hysteresis	0.03% of R.O.
Repeatability	0.03% of R.O.
Zero balance	±2% of R.O.
Temperature effect, on rated output	0.05% of LOAD/10°C
Temperature effect, on zero balance	0.1% of R.O./10°C
Temperature range, compensated	-10~-70°C
Temperature range, safe	-20~-80°C
Terminal resistance input	350±50Ω
Terminal resistance output	350±2Ω
Isolation resistance bridge / case	2000MΩ
Excitation recommended	10V
Safe overload	150% R.C
Cable length	∅ 5mm 4core, 3m

Dimensions Table

Capacity	A	B	C	D	E	F	Unit : mm
2kgf	60	50	13	16	10	M5 X 0.8	
5kgf	60	50	13	16	10	M5 X 0.8	
10kgf	70	52	13	18	13	M6 X 1	
20kgf	70	52	13	18	13	M6 X 1	
50kgf	70	52	18	24	13	M 12 X 1.75	
100kgf	70	52	18	24	13	M 12 X 1.75	
200kgf	70	52	18	24	13	M 12 X 1.75	
500kgf	70	62	22	25	13	M 12 X 1.75	
1tf	70	62	22	25	13	M 12 X 1.75	
2tf	96	84	30	35	21	M20 X 1.5	
3tf	120	96	35	41	30	M24 X 2	
5tf	120	96	40	44	30	M24 X 2	
10tf	165	140	60	66	46	M39 X 2	