

TRANSMITTERS FOR HVAC

EE10 Series

EE10 room transmitters are the ideal solution for indoor applications such as HVAC in residential and official buildings.

The very stylish, functional housing makes easy installation and fast exchange of the sensing unit for service purposes possible. The high quality E+E humidity sensor and state-of-the-art microprocessor controlled electronics are the guarantee for best accuracy and a wide range of options.

The standard humidity output of EE10 transmitters is 4 -20 mA or 0 -10 V. The temperature output signal can be active or passive.

All EE10 versions can be equipped with a good legible LC display. For EE-FT versions the displayed values for humidity and temperature will alternate.

HVAC Humidity and Temperature Transmitter for Indoor Applications



Typical Applications

- Building management for residential and office areas
- Air conditioning
- Switching cabinets
- Climate control in hotels and museums

Features

- Excellent price / performance ratio
- Easiest installation
- Modern design
- Long term stable
- Optional display

Technical Data EE10

Measuring Quantities

Relative Humidity

Humidity sensor	HC103	
Analogue output 0...100 % r.H	0 - 10V 4-20 mA (two wires)	-1mA < I _L < 1mA R _L < (U _V -10) / 0.02 < 500 Ohm
Working range ¹⁾	0...95 % RH	
Accuracy at 20°C (68°F) and U _v +24VDC	±2% RH (40...60% RH)	±3% RH (10...90% RH)
Temperature influence at 60% RH	Typical 0.06% RH / °C (0.03% RH / °F)	

Temperature (Active Output)

Analogue output 0...50°C (32...122°F) ²⁾	0 - 10V 4-20 mA (two wires)	-1mA < I _L < 1mA R _L < (U _V -10)/0.02 < 500 Ohm
Accuracy at 20°C (68°F) and U _v +24VDC	FT3: ±0.25°C (±0.45°F)	FT6: ±0.4°C (±0.72°F)

Temperature (Passive Output)

Type of T-Sensor	please see ordering guide
------------------	---------------------------

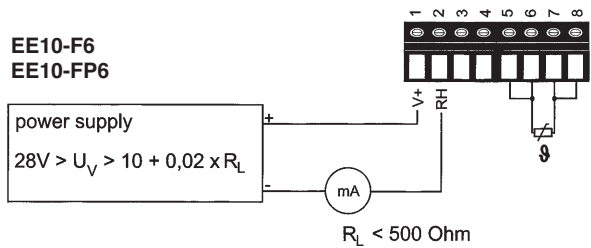
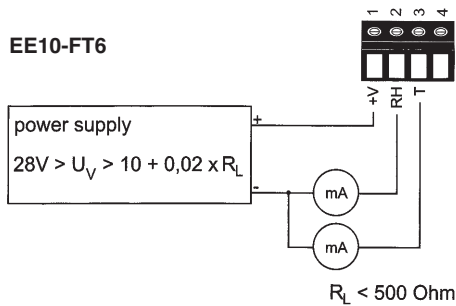
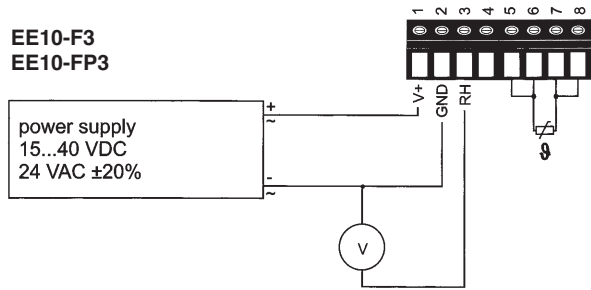
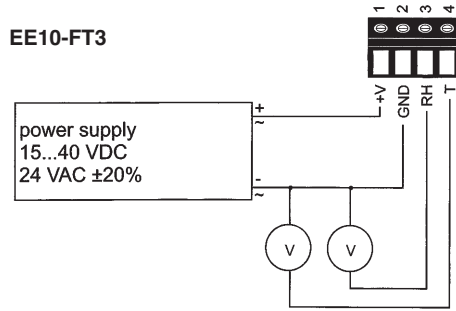
General

Voltage supply (U _v) for 0 - 10V for 4 - 20mA	15 - 40 VDC or 24 VAC ±20% 28 V DC > U _v > 10 + 0.02 x R _L (R _L < 500 Ohm)	
Current consumption	for DC supply	Typical 4 mA
	for AC supply	Typical 15 mA _{eff}
Electrical connection	screw terminals max. 1.5mm ² (AWG16)	
Display	for EE10-FTx version	Humidity / Temperature alternating
	for EE10-Fx and EE10-FPx version	Humidity
CE compatibility according	EN 50081-1	FCC Part15 ClassB
	EN 50082-1	ICES-003 ClassB
Temperature ranges	working temperature range	-5...55°C (23...131°F)
	working temperature with display	-5...55°C (23...131°F)
	working temperature range	-25...60°C (-13...140°F)

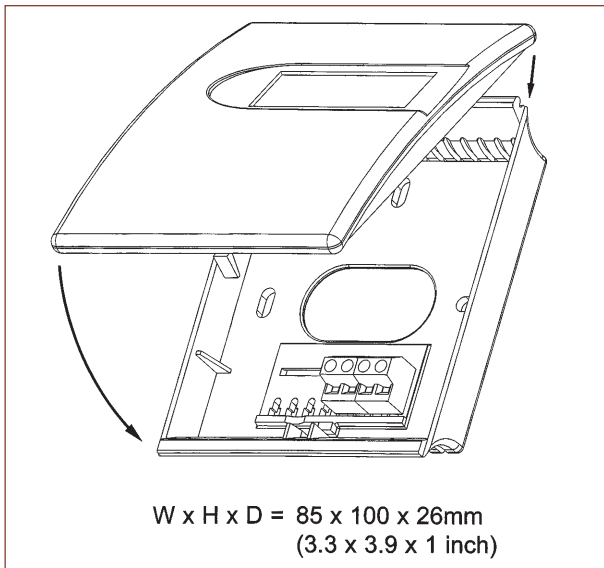
¹⁾ Please refer to the working range of the humidity HC103.

TRANSMITTERS FOR HVAC

Connection Diagram



Dimensions (mm)



Housing: PC
Protection class: IP20

Housing colour: Cover: RAL 9003 (signal white)
Back: RAL 7035 (light grey)

(Other colours upon request)

Order Example

EE10-FP6D-D04
Model: Humidity + Temperature Transmitter with passive T-output
Output humidity: 4-20mA
Output temperature: Pt 1000 DIN B
Display: with Display
T-Unit: °C
T-scale: 0...50°C

Ordering Guide EE10

Model	Output	T-Sensor (only passive)	Display	T-Unit (only for (D04))	T-Scale (only for FT)
humidity + temperature (FT)	0 - 10 CV (3)	Pt 100 DIN A (A)	without display (--)	°C (--)	standard (0...50°C) (--)
humidity (F)	4 - 20 mA (6)	Pt 101 DIN B (B)	with display (D04)	°C (E01)	(32...122°F)
humidity + temperature passive (FP)		Pt 1000 DIN A (C) Pt 1001 DIN B (D)			other T-scaling please contact us
EE10-					