

TRANSMITTERS FOR HVAC

EE16-T Series

EE16 temperature transmitters are the ideal solution for accurate measurement of temperature in the range 0...50°C (32...122°F) in HVAC application.

EE16 temperature transmitters are available as wall or duct mounted with current or voltage output signals.

Typical Applications

- Building-automation
- Storage rooms
- Climate and ventilation control

Features

- Excellent price / performance ratio

Temperature Transmitter for
HVAC Applications



Technical Data EE16-T

Measuring Values

Temperature (Active Output)

Sensor	Pt1000 (class A, DIN EN 60751)	
Output appropriate 0...50°C (32...122°F)	0-10 V	-1mA < I _L < 1mA
	4-20 mA (two wire)	R _L < 500 Ohm
Accuracy at 20°C (68°F) ¹⁾	±0.3°C (±0.5°F)	

Temperature (Passive Output)

Type of T-Sensor	please see ordering guide
------------------	---------------------------

General

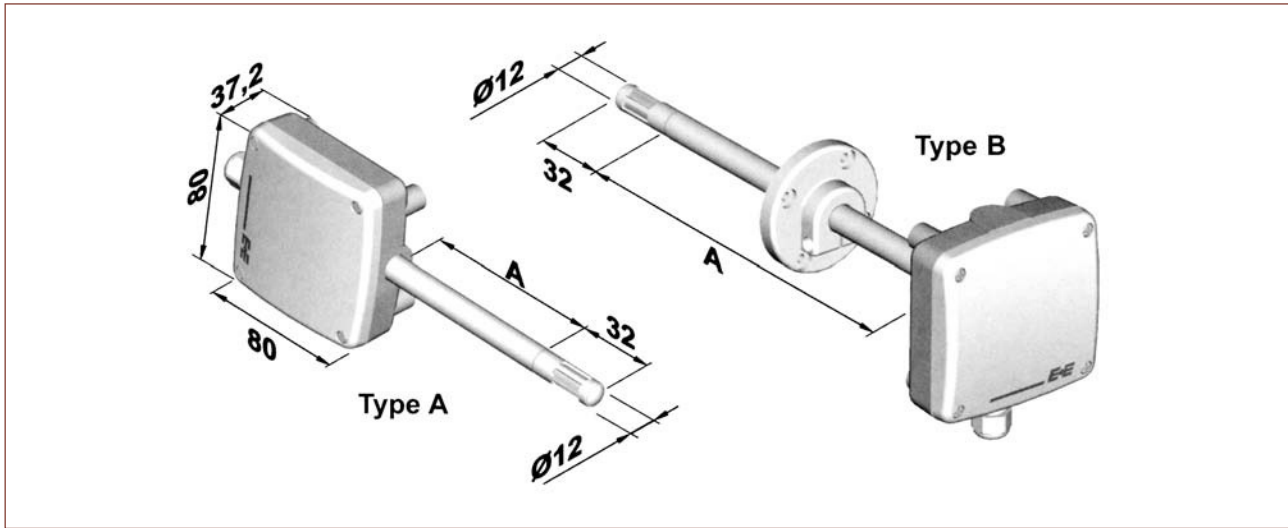
Supply voltage for 0 - 10 V for 4 - 20 mA	15 - 35V DC or 24V AC ±20%	
	10V + R _L x 20 mA < U _v < 35V DC	
Current consumption	for DC supply	typ. 8 mA
	for AC supply	typ. 20 mA _{eff}
Electrical connection	Screw terminals max. 1.5mm ² (AWG 16)	
Housing / protection class	Polycarbonate / IP65, Nema 4	
Cable gland	M16x1.5	cable ø 4.5 - 10mm (0.18-0.39")
Sensor protection	Membrane filter or plastic grid	
Electromagnetic compatibility	EN 61000-6-1 EN 61000-6-3	ÖVE EN 61326-1+A1+A2
		CE
Temperature range	Working temperature:	-5...50°C (23...122°F)
	Storage temperature:	-25...60°C (-13...140°F)

¹⁾ Please note: temperature accuracy EE16-T6x2x: ±0.5°C (±0.9°F)

TRANSMITTERS FOR HVAC

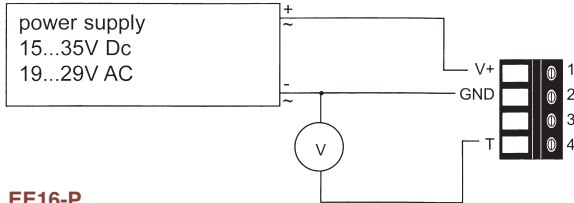
Dimensions (mm)

1 mm = 0.03937" / 1" = 25.4 mm

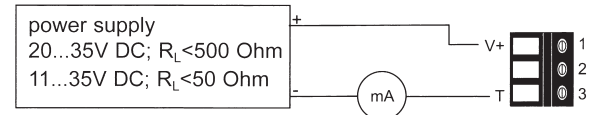


Connection Diagram

EE16-T3xxx



EE16-T6xxx



EE16-P



Ordering Guide EE16-T

Model	Output	Housing	Probe Length (see dimensions "A")	Filter
Temperature active (T)	0-10V (3) 4-20mA (6)	Wall mounting (A) Duct mounting (B)	50 mm (1.9") (2) 200 mm (7.9") (5)	Membrane filter (1) Plastic grid (4)
EE16-				

Model	Output	Housing	Probe Length (see dimensions "A")	Filter
Temperature passive (P)	Pt 100 DIN A (A) Pt 100 DIN B (B) Pt 1000 DIN A (C) Pt 1000 DIN B (D) others on request	Wall mounting (A) Duct mounting (B)	50 mm (1.9") (2) 200 mm (7.9") (5)	Membrane filter (1) Plastic grid (4)
EE16-				

Ordering Example

EE16-T3A21

Model: Temperature transmitter
 Output: 0 - 10V
 Housing: Wall mounting
 Probe length: 50 mm (1.9")
 Filter: Membrane filter