

PHOTOELECTRIC SENSORS

BGS-2S Series



BGS Type Standard S2 Type

(Sensing range : white 1-250mm / gray 2-250mm / black 5-200mm)
 • BGS-2S25N / P / CN / CP

(Sensing range : white 25-150mm / gray 25-150mm / black 25-80mm)
 • BGS-2S15N / P / CN / CP

(Sensing range : white 5-300mm / gray 10-300mm / black 15-200mm)
 • BGS-2S30N / P / CN / CP

(Sensing range : white 40-100mm / gray 40-100mm / black 20-70mm)
 • BGS-2S10N / P / CN / CP

(Timer type of BGS-2S30)
 • BGS-2S30NT / PT

Applications



BGS-2S25N/P for black PC Boards



BGS-2S15N/P anti-inverter noise



BGS-2S10N/P for limited mounting space



BGS-2S30NT/PT for longer distance. Timer type (0-100msec)

BGS-2S25 Series

- Specially designed for black PC Boards.
- M8 QD types are available.

BGS-2S15 Series

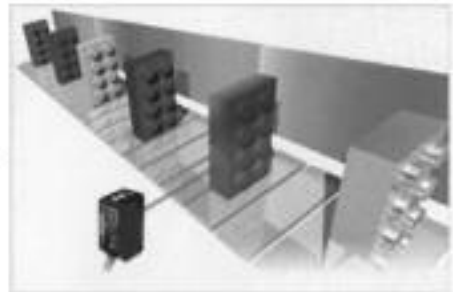
- Noise filter with anti-inverter design. Tolerant to environmental noise.
- Good for any PC Board except black colored.
- Standard BGS in Asia/Japan.

BGS-2S10 series

- For limited area. Good repeatability.

Features

BGS type sensors are designed to detect any target regardless of the color and/or background.

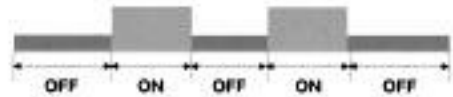


OFF delay timer (BGS-2S30T)

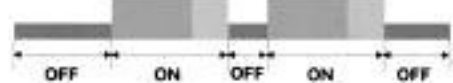
The BGS-2S30NT(PT) has a built-in Off-delay timer, 0 - 100 msec.



Standard output



Off-delay output



IP67.

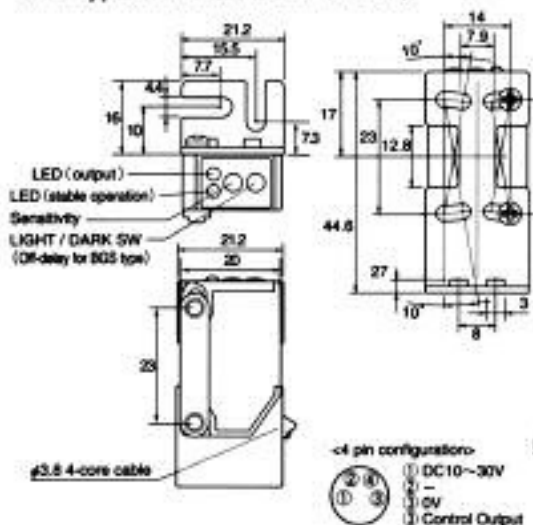
The one-shot molded housing results in an IP67 rating.



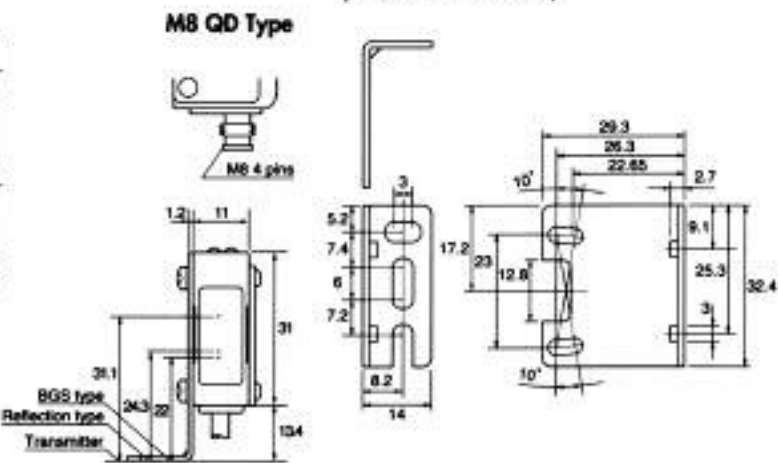
PHOTOELECTRIC SENSORS

Dimensions (BGS-2S15N, BGS-2S10N, BGS-2S25N, BGS-2S30N)

Cable Type (With Bracket BEF-W140B)



Optional Bracket (Bracket BEF-W140A)



(Unit: mm)

Remark! The BGS type sensors have the cable exiting the housing at the bottom not the back corner as shown in the above drawing (see the picture in the upper left corner of previous page).

Options

Options

JCN-S : M8 Straight type



JCN-S : 2 meter
JCN-S5 : 5 meter
JCN-10S : 10 meter

JCN-L : M8 L-shape type



JCN-L : 2 meter
JCN-5L : 5 meter
JCN-10L : 10 meter

Protective mounting brackets LS2-801



Specifications

Cable type	BGS-2S25N / BGS-2S25P	BGS-2S15N / BGS-2S15P	BGS-2S30N / BGS-2S30P	BGS-2S10N / BGS-2S10P	BGS-2S30NT / BGS-2S30PT
Connector type	BGS-2S25CN / BGS-2S25CP	BGS-2S15CN / BGS-2S15CP	BGS-2S30CN / BGS-2S30CP	BGS-2S10CN / BGS-2S10CP	
Sensing range	white : 1 - 250mm grey : 2 - 250mm black : 5 - 200mm	25 - 150mm	5 - 300mm 10 - 300mm	40 - 100mm 40 - 100mm	5 - 300mm 10 - 300mm
Response	0.5m sec Max				
Repeatability	parallel : 2.0mm vertical : 0.5mm	1.5mm 0.3mm	2.5mm 0.6mm	1.5mm 0.3mm	2.5mm 0.6mm
Mode	Light On, Dark On selectable				
Hysteresis	10% Max				
LED Indicator	Two-way, Green (Stable), Yellow (output)				
Light source	Red LED				
Supply voltage	DC10 - 30V incl. 10% ripple				
Regulation	JIS / C4525, CE, UL				
Power consumption	30mA Max				
Sensitivity adjustment	6-turn trimmer				
Protection	IEC, IP67				
Shock resistance	50G, XYZ directions				
Materials	PBT with glass (Case), PC (Lens)				
Timer	N/A		Available as option	N/A	

