

PHOTOELECTRIC SENSORS

C Series



Applications



Positioning of wooden plate



Counting food packages

Thru-beam Type
(Sensing range : 15m)
• CTD-1500N / P
• CTD-1500CN / CP

Retro-reflective Type
(Sensing range : 0.05 - 3m)
• CRD-300N / P
• CRD-300CN / CP

Diffuse reflective Type
Long Range Detection
(Sensing range : 40cm)
• CDD-40N / P
• CDD-4CN / CP

Retro-reflective Type with Built-in Polarizing Filter
(Sensing range : 0.05 - 1m)
• CTDF-100N / P
• CTDF-100CN / CP

Diffuse reflective Type
(Sensing range : 11m)
• CDD-11N / P
• CDD-11CN / CP

- **Epoxy filled housing ensures resistance to vibration.**
- **M12 QD types are available.**
- **Rigid Nickel Plated Brass housing.**

Features

Nickel plated brass body, resistant to vibration and damage from chemicals.

Superior in performance to sensors with plastic bodies in terms of durability and resistance to chemicals, oils and mechanical vibration.

CRDF retro-reflection type with built-in polarizing filter.

The beam can be turned 90 degrees by using the optional side view attachments.



type T000
for CTD-1500, CDR-300

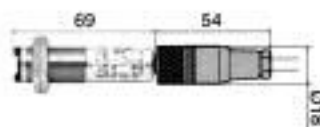


type T110
for CDD-11

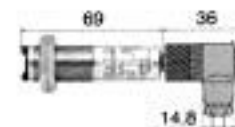


type T400
for CDD-40

Optional Straight and 90 degree connectors



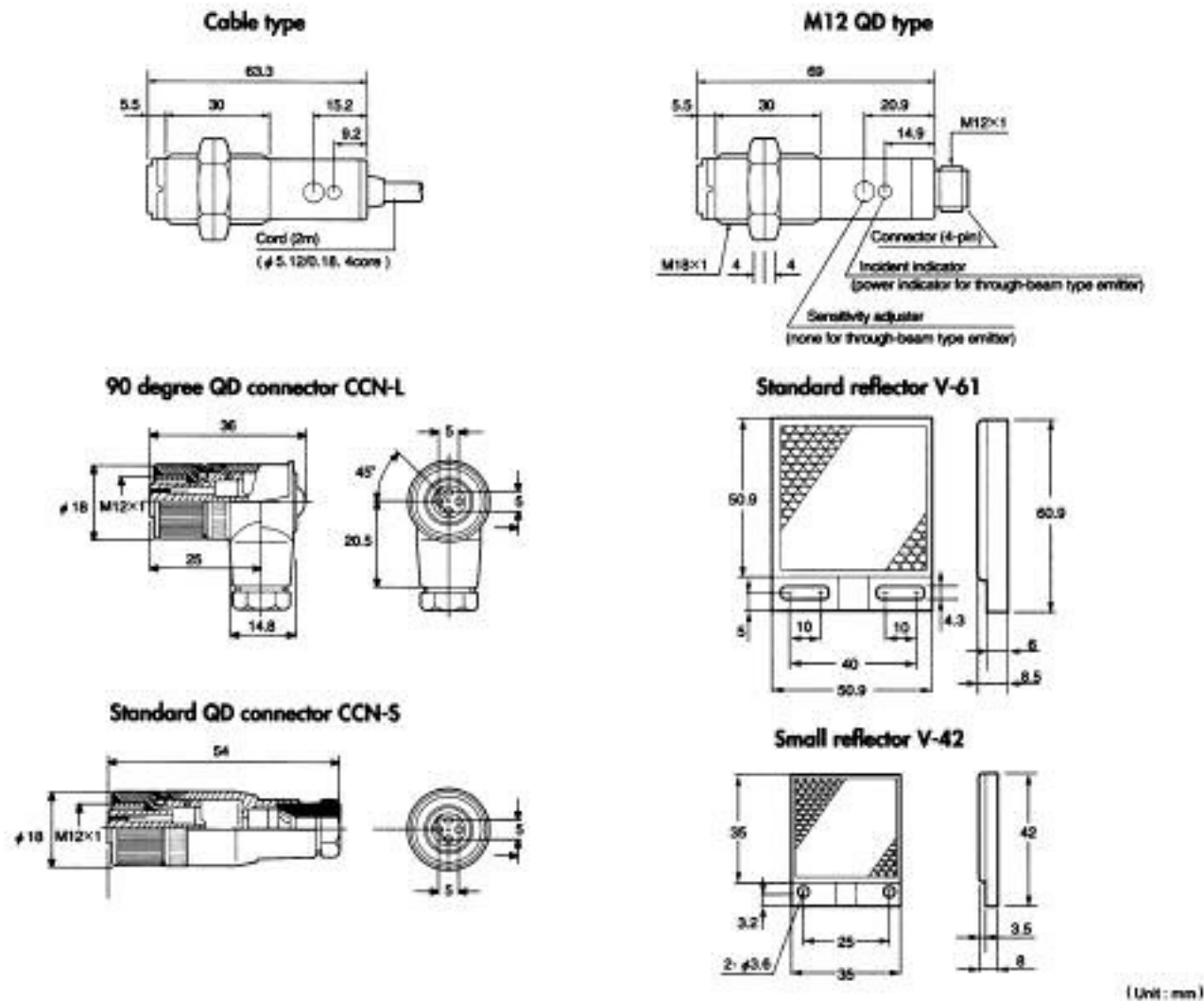
Straight model
CCN-S



L-shape model
CCN-L

PHOTOELECTRIC SENSORS

Dimensions



(Unit: mm)

Specifications

| Model | Thru-beam | Retro-reflective | Reflective / Polarizing | Diffuse reflective 11cm | Diffuse reflective 40cm | |
|------------------------|--|------------------|-------------------------|-------------------------|-------------------------|----------|
| Cable type | NPN | GTD-1500N | CRD-300N | CRDF-100N | CDD-11N | CDD-40N |
| | PNP | GTD-1500P | CRD-300P | CRDF-100P | CDD-11P | CDD-40P |
| Connector type | NPN | GTD-1500CN | CRD-300CN | CRDF-100CN | CDD-11CN | CDD-40CN |
| | PNP | GTD-1500CP | CRD-300CP | CRDF-100CP | CDD-11CP | CDD-40CP |
| Sensing range | 15m | 3m | 1m | 11cm | 40cm | |
| Response time | 1.5msec Max | | | | | |
| Operation mode | Light ON / Dark ON selectable | | | | | |
| Hysteresis | NIL | | | | | |
| Light source | Infrared | | | Red | 10% Max Infrared | |
| Control output | NPN or PNP Open collector, 100mA Max / 30V DC | | | | | |
| Supply voltage | DC 10 to 30V including 10% of ripple | | | | | |
| Conformity | JIS/C4525, CE, UL | | | | | |
| Power consumption | 40mA Max 30mA Max | | | | | |
| Ambient Temp / Humid | -25 up to 55 °C / 35 up to 95% RH | | | | | |
| Sensitivity adjustment | Single turn potentiometer | | | | | |
| Protection category | IEC 144 IP68 | | | | | |
| Shock resistance | 50G (500m/s ²), X-Y-Z axis 3 times | | | | | |
| Material | Case : BSBM-NI, Lens : PC | | | | | |
| Reflector | - | | V-61 | - | | |

