

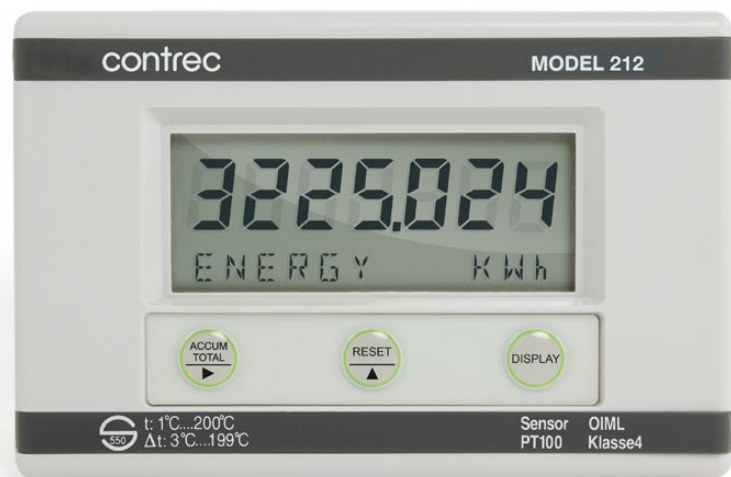
## MODEL 212

### FEATURES

- High Accuracy
- 4-20mA Output Option
- 4-wire PT100 RTD Temperature Inputs
- Heating, Cooling and Air Conditioning
- Calculates and Displays Volume, Energy, Temperature and Peak Energy
- Built-in Density and Enthalpy Tables
- Meter-bus Interface and RS485 Communications
- Fully Programmable
- Multilingual Capability
- Metric or US Units
- Watertight to IP66 (Nema 4X)
- Complies with OIML R75 and EN1434 Standards
- CE Compliant



## Heat Calculator



The 212 Heat Calculator is designed to measure the energy consumed in Hot Water Heating Systems and Chilled Water Cooling Systems.



# Field Mounting Heat Calculator

PROVEN IN THOUSANDS OF FIELD INSTALLATIONS  
THROUGHOUT THE WORLD.

The 212 is a high accuracy, Heat Calculator designed to operate with digital output flowmeters. Having an IP67 weatherproof case, new tactile keyboard and various mounting options, the 212 is perfect for the most arduous of installations.

The unit can be supplied complete with temperature probes and will interface with a wide range of flowmeters, including positive displacement and inferential water meters, magnetic flowmeters with pulse outputs, turbine and paddle wheel flowmeters.



## Provides Flexibility to meet all Applications

The 212 is able to cross international boundaries in heat meter applications.

Multilingual capability, datalogging and peak/off-peak operation are standard. In addition, four modes of operation covering heating and cooling ensure that the 212 is flexible enough to meet all energy measurement applications.

The high accuracy of the 212 ensures that it meets European and International approvals for heat calculators.

## Accuracy to OIML R75 Class 4 and EN1434

The 212 can be supplied with two precision 4-wire PT100 RTDs and has inbuilt correction for the non-linearity of the RTDs. For chilled water measurement where the temperature difference ( $\Delta t$ ) is likely to be small, provision is made in the set-up program to zero out any offset between RTDs.

The 212 is fully programmable and all set-up data and totals are stored in a non-volatile memory for a minimum of 10 years.

## Watertight Wall or Panel Enclosure

The 212 Heat Calculator is housed in a rugged yet attractive IP66 (Nema 4X) rated polycarbonate enclosure which is completely watertight.

Mounting is either by a wall bracket or by panel mount.

## Integration with Energy Management Systems

A Meter-bus interface enables the 212 Heat Calculator to be incorporated into energy management systems complying with European IEC 870-5 protocol standards.

The 212 is also supplied with an RS485 bus, which uses industry standard Modbus RTU protocol, for interfacing to computers and DCS systems.

## Datalogging Flexibility

The 212 Heat Calculator will store energy totals by hour, day, week or month for up to 31 periods. The totals are stored for each period and can be downloaded to a computer via the Meter-bus or RS485 communications ports.

## Peak and Off-peak Registers

If selected, the peak/off-peak feature will assign two separate registers which will totalise peak energy and off-peak energy.

The changeover times between peak and off-peak are fully programmable.

## 4-20mA Output

A 4-20mA output option is available and can be programmed to output flow rate, energy flow rate, feed or return temperature,  $\Delta t$ .

Note that the high and low alarms are not available if the 4-20mA option is installed.

## Modes of Operation

The 212 Heat Calculator is flexible enough to handle a wide range of applications. Four operating modes are available.

**Heating Mode** where positive  $\Delta t$ 's only are totalised.

**Cooling Mode** where negative  $\Delta t$ 's only are totalised.

**Heating/Cooling Mode** where the flow of energy may be for heating or cooling. In this mode the energy total is increased regardless of whether  $\Delta t$  is positive or negative.

**Charge/Discharge Mode** where two separate registers totalise positive and negative totals.

## Calculates the Density and Enthalpy of Water

The 212 Heat Calculator measures the temperature in the feed and return lines and, from this, calculates the density and enthalpy of the water.

By also measuring the volume of water flowing in the system, the 212 will then compute the energy consumed.

Power is calculated as:

$$P = V \times \rho \times (h_{TV} - h_{TR})$$

where

P = Power (W)

V = Volumetric flow rate (m<sup>3</sup>/s)

$\rho$  = Density (kg/m<sup>3</sup>)

$h_{TV}$  = Specific enthalpy (J/kg) at Feed temperature

$h_{TR}$  = Specific enthalpy (J/kg) at Return temperature

The volume, energy, temperatures and peak energy are all calculated and can be displayed on the large LCD.

## SPECIFICATIONS

### Display

**Type:** 7 digit LCD - 7 numeric digits and 11 alpha characters  
**Digits:** 15.5mm (0.6") high  
**Characters:** 6mm (0.24") high  
**Display Units:** kWh, MWh, MJ, GJ, therm, BTU x 1000, tons x hours (refrigeration)  
**Maximum Thermal Power:** 3000MW  
**Measurement Time:** 0.5s  
**Accuracy:** OIML R75 Class 4 and EN1434  
**Approvals:** Approved by Swiss Federal Office of Metrology to OIML Class 4  
**Interference:** CE Compliance

### Power Requirements

**DC Power:** 12 to 24Vdc @ 100mA maximum  
**AC Power:** Supplied via power adaptor

### Physical

#### Temperature

**Operating:** 5 to 55°C  
**Storage:** -20 to +70°C  
**Environmental Class:** EN1434 Classes A & C

#### Enclosure

**Protection:** IP66 (Nema 4X) watertight  
**Materials:** Polycarbonate and ABS

#### Mounting Options

**Wall:** Wall mount bracket  
**Panel:** Mounting clips

### Battery Powered Version

**Battery Type:** 2 x Lithium battery packs  
**Battery Life:** 5 years

### Inputs

#### Flowmeter

**Type:** Frequency or pulse between 0.01Hz to 20KHz. Default low frequency cutoff is 0.25Hz  
**K-factor Range:** Programmable in the range 0.001 to 999,999.9 pulses per litre, m<sup>3</sup>, US gallon or ft<sup>3</sup>  
**Signal Type:** Pulse, open collector, reed switch, proximity switch or coil  
**Location:** In either the return or feed lines

#### Temperature

**Type:** 4-wire PT100 RTD's to IEC 751. 1/10 DIN  
**Location:** 1 x Feed Line and 1 x Return Line  
**Linearisation:** Built-in RTD linearisation  
**Temp Range:** -10 to +220°C (1 to 200°C approved)  
**Temp Difference:** 1 to 200K (3 to 199K approved)  
**Measurement Time:** 3s  
**Cable Length:** < 50m  
**Connection:** G $\frac{1}{2}$ B

### Outputs

#### Pulse

**Type:** Open collector will sink up to 100mA, 30Vdc maximum  
**Width:** 10ms  
**Function:** Volume or Energy (scaled)  
**Frequency:** 1 pulse every preset number of units of energy or volume total

#### Alarm (Not available with 4-20mA output)

**Type:** Two solid state opto-isolated relays which will sink up to 100mA, 30Vdc maximum.  
**Function:** High and low alarms individually programmable as unsigned values for flow rate, energy flow rate, feed temperature, return temperature or temperature difference.

#### 4-20mA Output Option

**Function:** Volumetric flow rate, energy flow rate, feed or return temperature,  $\Delta$ t  
**Accuracy:** 0.1%  
**Span:** Programmable  
**Load:** Maximum of 300 ohms at 12V

#### Meter-Bus

**Type:** Conforms to CEN/TC176 Meter-bus standard  
**Protocol:** IEC 870-5

#### RS485

**Data Transmitted:** All data calculated can be transmitted  
**Baud Rate:** 300 to 9600 baud  
**Parity:** Odd, even or none  
**Stop Bits:** One or two  
**Bus Address:** Programmable for multiple instruments on the same bus  
**Protocol:** Modbus RTU

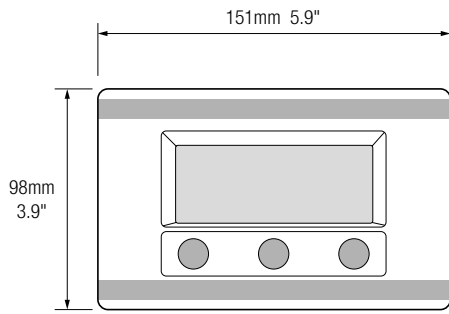
*Important: Specifications are subject to change without notice.*

## TERMINAL DESCRIPTIONS

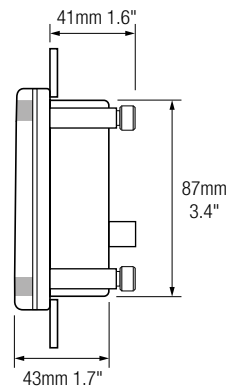
RTD Connections		Flowmeter Signals		Communications		Alarm Relays		Power Supply	
No.		No.		No.		No.		No.	
1	High temp RTD Current (+)	9	Namur Switch (+)	24	Meter-Bus	52	Relay 0 (+) DC voltage only	50	2Vdc Supply (+)
2	High temp RTD Current (-)	10	Flow Signal Input	25	Meter-Bus	53	Relay 0 (-) DC voltage only	51	12Vdc Supply (-)
3	Low temp RTD Current (+)	11	Coil Reference			54	Relay 1 (+) DC voltage only		
4	Low temp RTD Current (-)	12	Flow Signal Common	56	RS485 (+)	55	Relay 1 (-) DC voltage only	58	↔ Shields
5	High temp RTD Input (+)			57	RS485 (-)				
6	High temp RTD Input (-)					<b>4-20mA Output</b>			
7	High temp RTD Input (+)	16	Pulse Output (+)			52	4-20mA (+)		
8	High temp RTD Input (-)	17	Pulse Output (-)			53	4-20mA (-)		

# DIMENSIONS

## Enclosure Dimensions

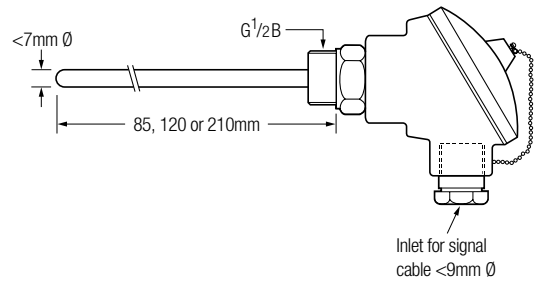


## Panel Mount



Panel Mount Brackets  
Option 1  
(cutout size 87mm 3.4" H  
x 141mm 5.6" W)

## RTD Typical Configuration



# PRODUCT CODES

## Product Code, Mounting Types & Options

212 •				Heat Calculator
Enclosure Mounting	0			Wall Mounting (no gland holes)
	1			Panel Mounting *
	2			Wall Mounting (standard glands holes)
Output Options	0			No Option
	1			4-20mA)
Power Options		N		DC Powered
		E		European Adapter (220Vac)
		U		UK Adaptor (220Vac)
		A		USA Adaptor (100Vac)
		H		Australian Adaptor
Temperature Sensors		0		No Probe
		8		85mm Insertion
		1		120mm Insertion
		2		210mm Insertion
Approvals			S	OIML R75 Compliant
				No Approvals ( <i>leave blank if not with compliance</i> )

Typical Part Number: 212.20E1S

\* Note: Cable glands not included

## Instruments within the Contrec family:

**100 Series** – Accurate process instruments for field mounting applications

**200 Series** – Intrinsically safe, precise and reliable process instruments

**400 Series** – Rugged and dependable batch and flow control solutions

**505 Series** – Next generation flow instruments for a variety of applications

**515 Series** – Precise flow and batch control for more complex applications

**LC Series** – Robust load computers for petroleum and chemical applications

**TRAC 40** – Vehicle mount custody transfer approved registers



**Contrec Manufacturing (UK) Ltd**  
Riverside, Canal Road  
Sowerby Bridge  
West Yorkshire HX6 2AY

**t** +44 (0)1422 829944  
**f** +44 (0)1422 829945  
**e** admin@contrec.co.uk  
**w** www.contrec.co.uk

**SALES & TECHNICAL SUPPORT:**  
**+44 (0)1422 829944**  
**www.contrec.co.uk**

**Contrec Manufacturing Ltd**  
Manufacturing and Asia Sales:  
+44 (0)1422 829944  
admin@contrec.co.uk

**Contrec Europe Ltd**  
European, Middle East and Africa  
Sales: +44 (0)1422 829940  
sales@contrec.co.uk

**Contrec – USA**  
Americas & Canada Sales:  
+1 (0)205 685 3000  
customerservice@contrec-usa.com

**Contrec Systems PTY Ltd**  
Australasia Sales and South East Asia  
Support: +61 (0)413 505 114  
paul@contrec.com.au