



EUROMAG
INTERNATIONAL

Measure > Sense > Innovate

CONVERTER **MC406**

Electromagnetic flowmeter



The battery powered electronic converter



DS400-1-ENG



Converter MC406

The MC406 is the new high -efficiency, technologically advanced battery powered electronic converter from Euromag, combining high performances and dedicated applications solutions to a low cost of ownership.

Up to 10 years of battery life allows maintenance free of operation. Battery pack is then easily replaceable, all data are automatically stored in the internal EEPROM memory and no data will be lost.

Applications

- Abstraction and distribution
- Revenue and bulk metering
- Irrigation
- Waste water and treatment
- Leak detection systems
- Any remote application with no access to mains power

Installation

Compact: horizontal or vertical (typically pit installations).

Separate (Remote): up to 30 meters of cable are supplied from factory.

Case

Reliable and robust, polycarbonate case with 4 PG9 glands and aluminum bottom on compact vertical configuration.

Data security

Excellent data security given by the internal EEPROM memory. Enhanced security in data and parameter storage; built-in datalogger with over 100.000 data lines capacity (more than 3 years of data under factory settings). Cycle memory, old data will be overwritten by new ones when full capacity is reached. A software is supplied with the unit to allow users to communicate with the 406 via Ircm port to any pc, lap top or windows tablet. Easy data download and management, easy programming.

Advanced self-diagnostic performs a wide range of essential checks automatically.

Low flow detection

Combined to the Euromag MUT2300 sensor series, the MC406 is capable to read flow velocities of 0.015 m/s (MID-OIML R49 certified).

MC406 is compatible with the complete line of sensors from Euromag.

Full bore units up to DN 600, and with any insertion sensors.

Remote data reading

With advanced display information, on-site data collection and remote monitoring via GSM/GPRS network, the MC406 allows any customer to access all the information, easily and at no cost.

Add on communication module automatically sends the information via SMS, e-mail (with or without attachment) and to www.euromagdata.com free access using any browser and with personal ID and password, also on smart phones and tablets.

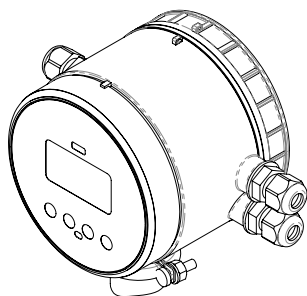
Add on modules of temperature and pressure readying, make the MC406 one of the most complete electronic converter for electromagnetic flowmeters available, giving to the end user a full control over all the main parameters of its network, reducing cost of programming, installation and maintenance.

One unit supplying flow - pressure - temperature, all at the same time.

Always verified

On-site verification available with the Euromag FIELD VERIFICATOR.

MC406 HORIZONTAL

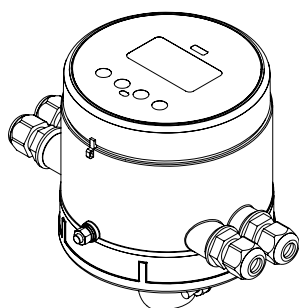


Weight 405 gr



MUT1222 - MC406

MC406 VERTICAL

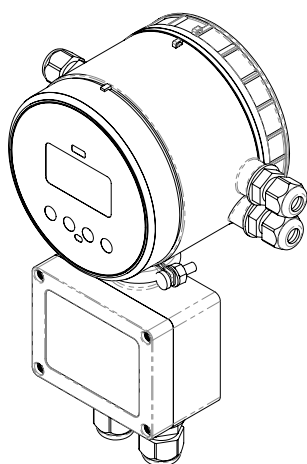


Weight 480 gr



MC406

MC406 SEPARATE



Weight 600 gr

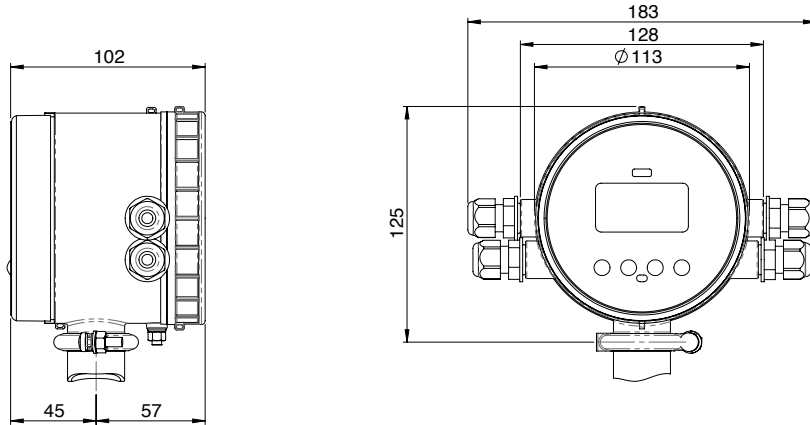


MUT2300 - MC406 VERTICAL

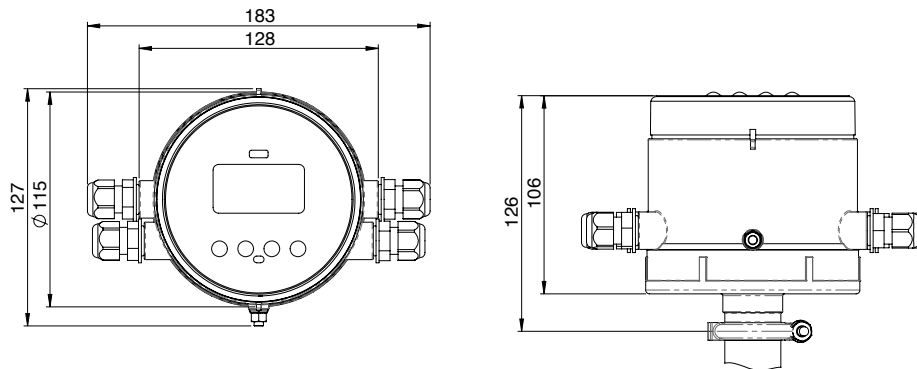


MC406

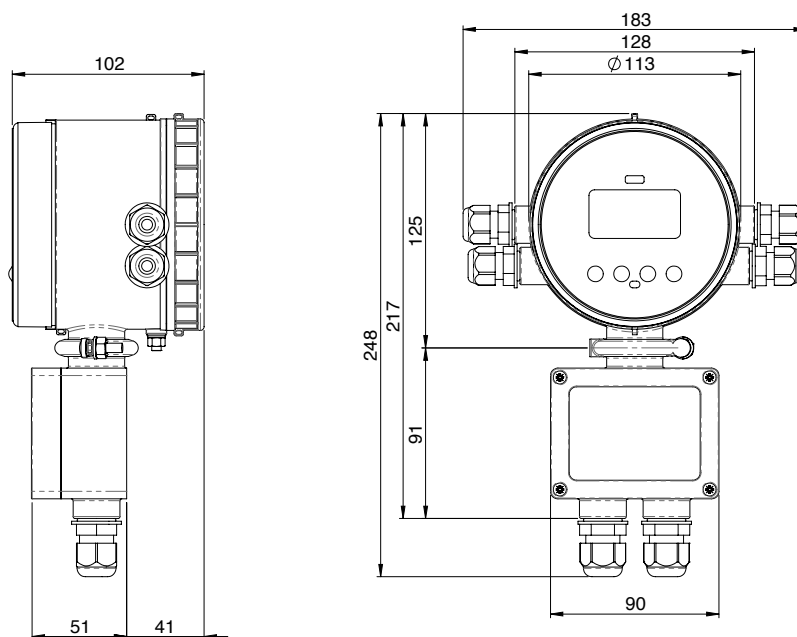
MC406 HORIZONTAL



MC406 VERTICAL



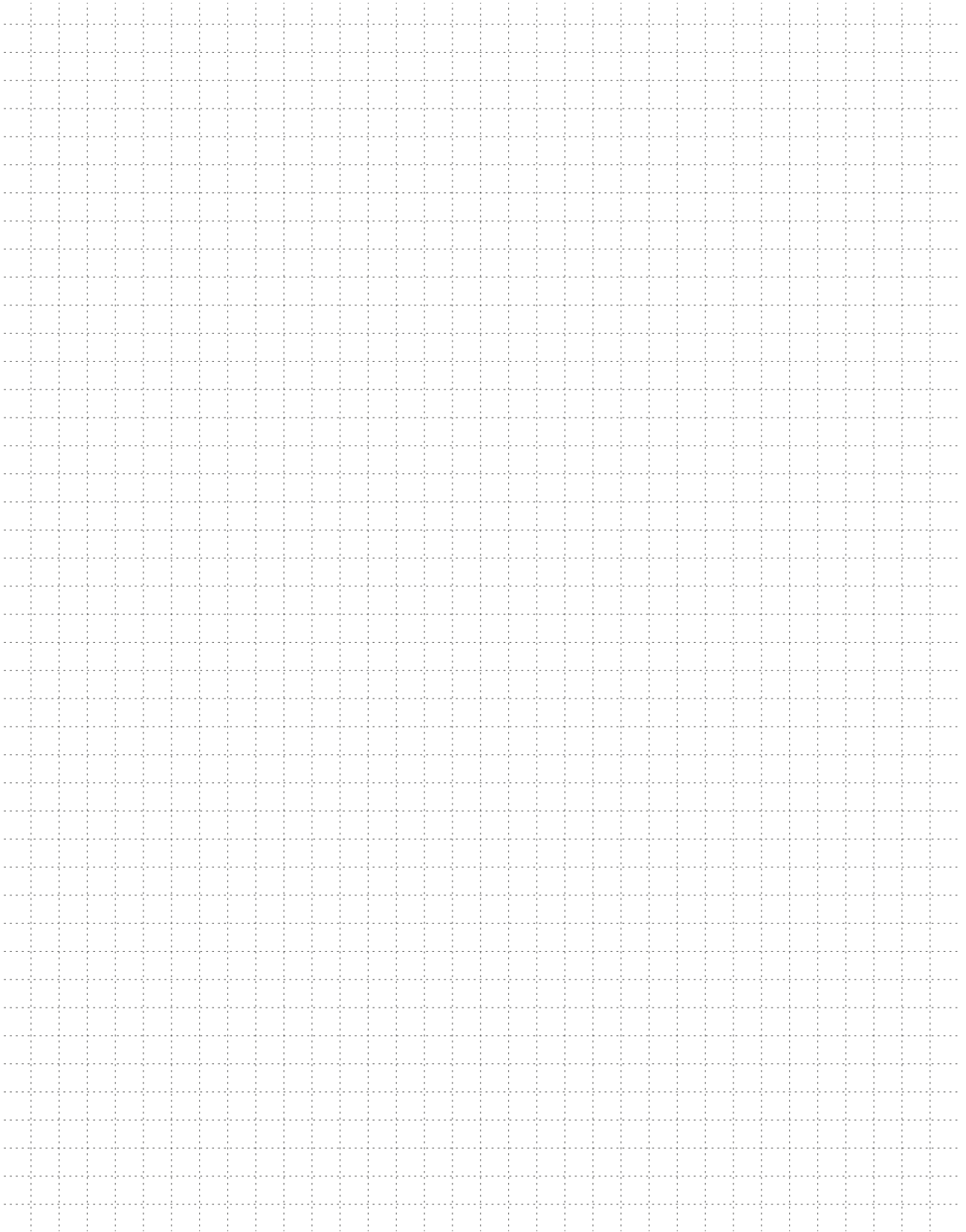
MC406 SEPARATE

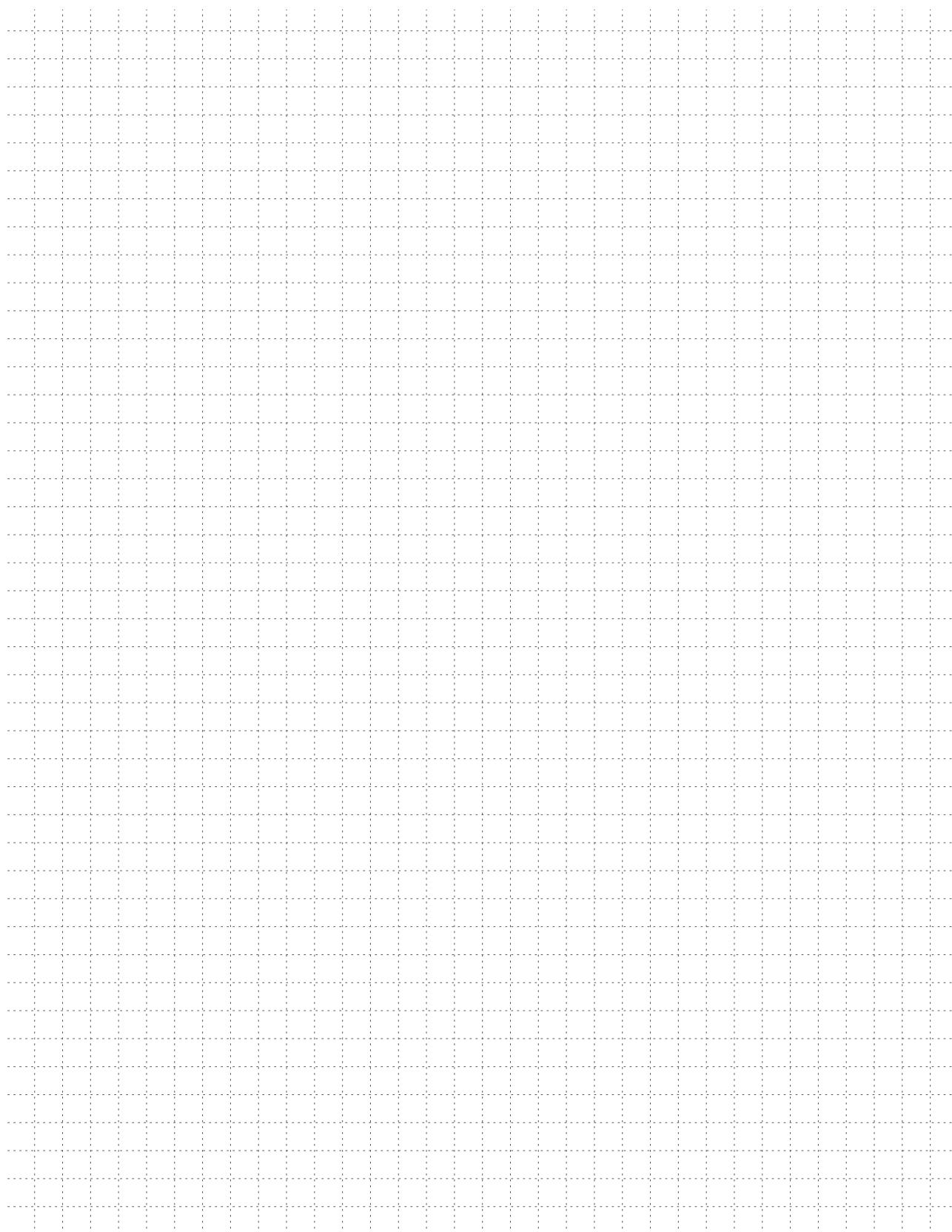


| | |
|---|--|
| Transmitter type | Battery powered - 2 x D Cell 3,6 V * |
| Battery life | Lithium battery pack up to 10 years |
| Accuracy | 0,2 % +/- 2 mm/s - insertion sensors 2% of rate +/- 2mm/s |
| Temperature | Ambient: -20 ... +60 C° (-4 ... +140 F) Media 0 ... 70 C° (32 ... +158 F) Storage -40 ... +70 C° (-22 ... +158 F) |
| Enclosure | Polycarbonate case with aluminum bottom on compact vertical version. IP 67 / 68. Remote wall mount braket in carbon steel zinch plated |
| Cable entries | 4X PG9 Glands I/O - 2X PG20 Glands junction box in remote version |
| Custody transfer | Type approved OIML R49-1 2013 / EN 14154 MID EN-ISO 4064 - Certificate n. T10713 |
| Conformity | EMC: EN 61000-6-3, EN 61000-6-2, EN 61326-1 |
| Sensor type | Full bore up to DN 600 - Insertion meters |
| Flow velocity range | 0,015 m/s up to 10 m/s |
| Sampling rate | Standard mode 1 / 5 Hz up to 1 / 60 Hz (default 1 / 15 Hz) max 3,125 Hz |
| Installation | Integral (compact) or remote with factory mounted sensor cable in 5 m (16,4 ft) up to 30 m (98,4 ft) |
| Digital filters | Damping - cutt-off (0,05 m/s default) - bypass - peak cut |
| Display and keys | LCD display - Index, menu, and symbols icons for dedicated information 4 Push buttons to access all functions Totalizer informations can be displayed with 5 decimal digits |
| Displayed informations | Live flowrate Total positive totalizer (T+) Total negative totalizer (T-) Partial positive totalizer (P+) Partial negative totalizer (P-) Time & date Converter temperature Process pressure and temperature (if available) Parameters corresponding code and value |
| Flow Units | m, m ³ , l, ML, ft ³ , GAL |
| Outputs | 2 pulses passive outputs (MOS), individual galvanically isolated - clean contact Maximum load +/- 35V DC, 100 mA short circuit protected |
| Communication | Integrated Euromag IrComm interface |
| Datalogging | 100,000 lines of data with a frequency of log between 1 minute and 120 minutes (default 15 minutes) |
| Add on modules | GSM/GPRS Euromag Module Pressure (1) and temperature (2) Energy metering ready |
| Totalizers | 4 (2 positive and 2 negative) |
| Date and time | Yes |
| Data protection | Password available, automatic firmware check and recover during the update |
| Alarms and status | Status icon displayed and alarm logged in the datalogger |
| Self diagnostic | Alarms available: <ul style="list-style-type: none"> • excitation failure • empty pipe on the 4th electrode • empty pipe on the measuring electrodes • high temperature • high voltage supply • pulse overlapped • wet electronic board |
| External verification | Field vericator available for calibration verification and electronic status |
| Software for communication and programming | Commissioning (equal settings of meters) - Data print for documentation - Data export (CSV file) - Firmware update - Read instant flowrate - Read and write all non volatile parameters - Download internal datalogger - View instrument event logger |

* Lithium batteries are subject to special transportation regulations according to United Nations "Regulation of Dangerous Good", UN 3090 and UN 3091. Special tranSPORT documentation is required to observe these regulations. This may influence both tranSPORT time and cost

Note







Measure > Sense > Innovate



EUROMAG
INTERNATIONAL

Measure > Sense > Innovate



EUROMAG INTERNATIONAL Srl

Via della Tecnica, 20 - 35035 Mestrino (Padova)
Italia Tel. +39 049.9005064 - Fax +39 049.9007764

www.euromag.com - www.euromagdata.com
euromag@euromag.com